

Improving & Innovating
Horticulture

Bark-Topper

"The speed is adjustable"

Every grower wants to deliver their product nice and clean to their purchaser. To clean the plants from different sorts of weed during the growing process however, much manual labour is required. Since several years, 'covering' is used as a preventive measure against weed, which cuts back considerable labour costs. Automatically applying bark helps the grower even further.

The Bark Topper is the Visser Covering machine that is used to cover pots with several sorts of covering media such as: bark, biotop or soil. Our machine can easily be put in line with the rest of your automation. The machine will always provide a layer of cover that is about 5mm thick. The speed is adjustable and the gate opening will determine the amount of covering media to be dumped in the pot.

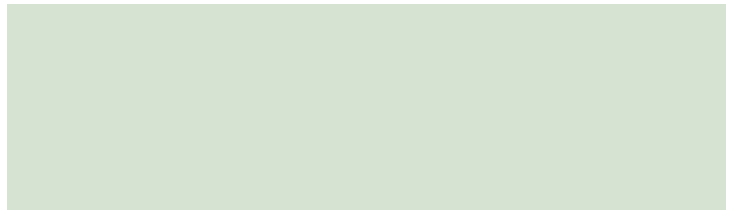
Why choose the Bark Topper?

- ✓ Fast
- ✓ Clean
- ✓ Uniform



Easy change over is therefore possible. Because of the spinning and the sweeper at the end of the line, a uniform covering result is achieved. The excess material that falls beside and off the pot will fall back in the main hopper and is re-used.

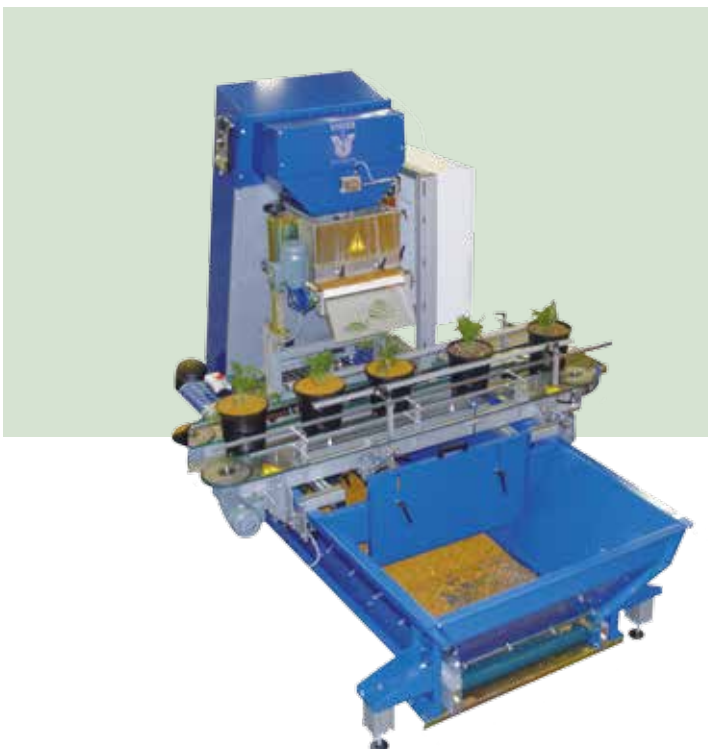
With the Visser Bark Topper your pots are covered fast, uniformly and clean. Equipment that will immediately give you an advantage over your competitors through a lower cost price and a nice and clean product!



“

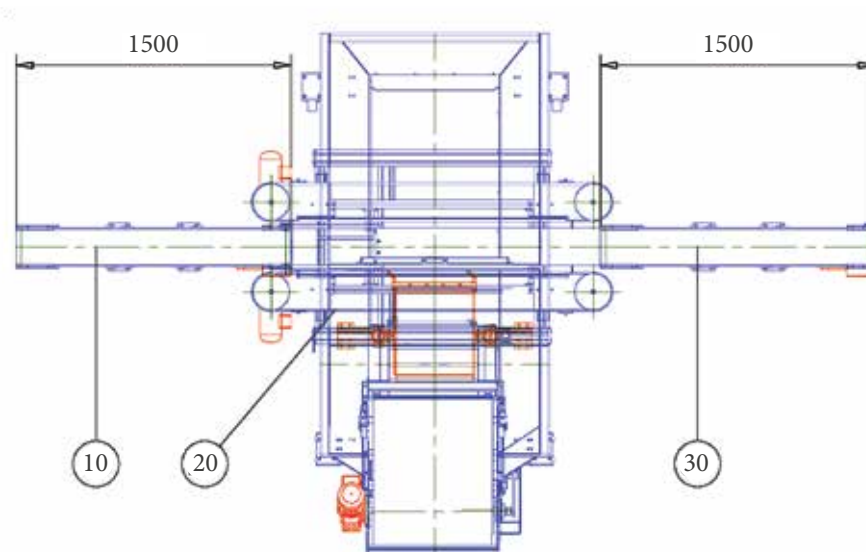
A high capacity!

”



Bark-Topper

"The speed is adjustable"



Position numbers according to the lay-out:

Pos.010 Belt conveyor type Vikon A50-25, L x W = 1.500 x 210 mm. The conveyor comes complete with conveyor belt type S and supporting legs.

Pos.020 Bark Topper for pots. Two string conveyors are spinning the pots and move the pots on a stainless steel plate trough the machine. The filling head will put bark on one side of the pots, while the pots are spinning. Because the pots are turned around the bark will be spread around evenly over the pot. Bark that falls off the pot falls back in the hopper and is reused. Can be used for different covering media, such as bark and soil.

Pos.030 Belt conveyor type Vikon A25-50, L x W = 1.500 x 210 mm. The conveyor comes complete with conveyor belt type S and supporting legs.

Product specification

Maximum pot size	350 mm
Minimum pot size	80 mm
Maximum capacity	800 – 4.000 pots per hour, depending on pot size and layer thickness

Technical specifications

Dimensions LxWxH	2.800 x 2.300 x 2.200 mm.
Motor rating	0,18 kW
Electrical requirements	400 Volt 3 phase 50 Hz + 0 + earth, in adequate power and if necessary filtered and stabilised. Other voltages on request.

Postal address

Visser Horti Systems
P.O. Box 5103
3295 ZG 's-Gravendeel
The Netherlands

Visitors address

Mijlweg 18
3295 KH 's-Gravendeel
The Netherlands

Contact

+31 (0) 78 673 98 00
+31 (0) 78 673 34 34
info@visser.eu

Sales

+31 (0) 78 673 98 00
+31 (0) 78 673 34 34
sales@visser.eu